

**Stonco**

**NytePro**

The Next Generation of  
**ARCHITECTURAL  
SURFACE-MOUNTED H.I.D.**



**ContractorSolutions**



# THE NEXT GENERATION OF

## *A Perfect Blend of Performance and Style*

**S**tonco's NytePro architectural WallPrism is a surface-mount fixture designed with an all-new reflector system that redirects light down and out for improved performance. The NytePro places more light around the building where it is needed most. The special cut-off optics prevent light spilling up toward the sky, allowing the NytePro to meet local Dark Sky ordinances with IES full cut-off.



The NytePro's sculpted housing design is a complement to any architectural style. The combination of attractive appearance and superior performance makes it ideal for security, accent and perimeter lighting on commercial and industrial buildings.

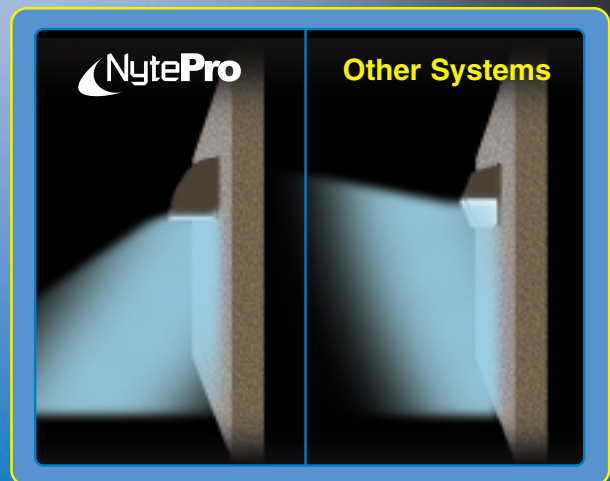
## *See the Difference*

### **NytePro**

*NytePro is designed to provide even light distribution and to meet stringent cut-off operation. The light is redirected down and out away from the building for greater security and safety.*

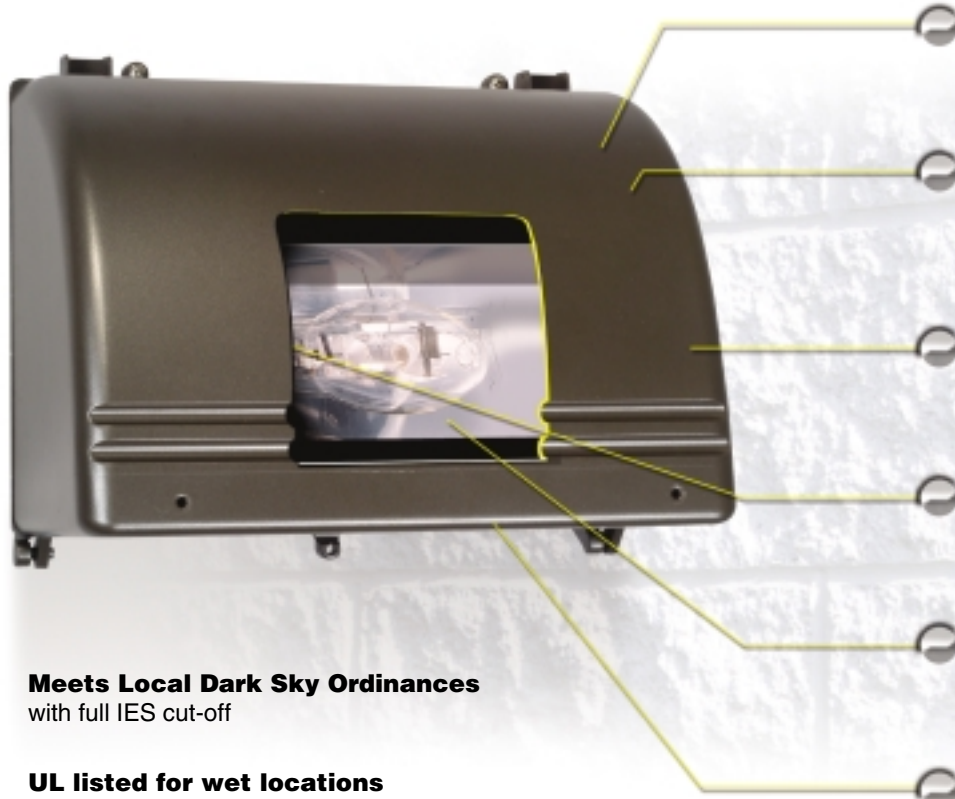
### **Conventional WallPack**

*Conventional wallpacks waste up to 60% of their available light to illuminate the building wall and sky, resulting in low light levels in critical areas and shorter distances between fixtures.*



# F ARCHITECTURAL SURFACE-MOUNTED H.I.D.

*Architectural Styling with Contractor-Grade Durability*



## Rugged Construction

Made from sturdy die-cast aluminum alloy.

## Stylish Appearance

Finished in DuraPlex II architectural bronze polyester. Contact factory for optional finishes.

## Contractor Friendly

1/2" NPS tapped holes on each side and top for conduit access.

## High-Quality Components

Deluxe glazed porcelain socket pulse rated for 4KV.

## Accurate Light Placement

Computer designed die-formed specular reflector.

## Weather-Tight Assembly

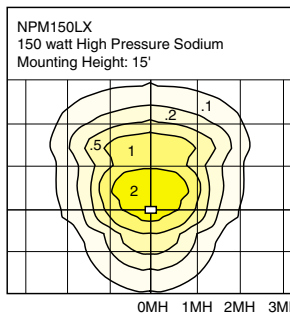
Non-yellowing tempered glass flat lens with a weather-tight silicone gasket.

**Meets Local Dark Sky Ordinances**  
with full IES cut-off

**UL listed for wet locations**



## Photometric Data



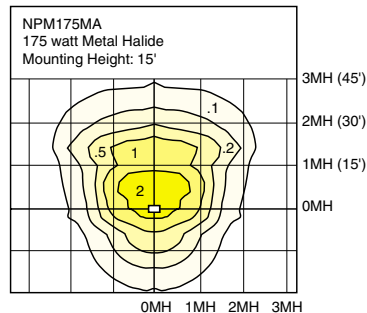
### NPM150LX

Mounting Height Conversion

10'	12'	15'	18'	20'
2.3	1.6	1.0	.69	.36

Wattage Conversion

150	100	70	50	35
1.0	.59	.36	.25	.14



### NPM175MA

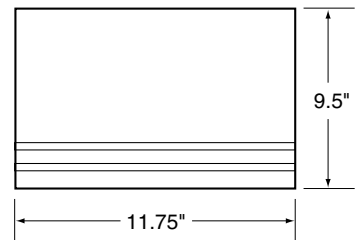
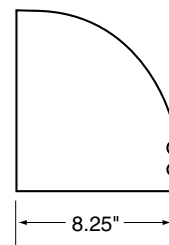
Mounting Height Conversion

10'	12'	15'	18'	20'
2.3	1.6	1.0	.69	.36

Wattage Conversion

175	150	100	20
1.0	.86	.51	.39

## Dimensional Data





## Ordering Guide

NPM	175	MA	L	8
Series	Wattage	Lamp Source	Options	Voltage
NPM	57=57W 70=70W 100=100W 150=150W 175=175W	PMA= Pulse Start (70w-150w) LX= High Pressure Sodium (35w-150w) NLX= High Pressure Sodium (35w-150w) MA= Metal Halide (175w) EB= Compact Fluorescent (57w-70w)	L=Lamp	1=120 volt 5 = 480 volt 6=120-277 volt 8=120, 208, 240, 277 volt

## Accessories

<b>NPM550</b>	Wire Guard
<b>P110A</b>	External Pencil Photo Control 120v
<b>P150F</b>	External Photo Control 120v - 277v
<b>NPMLATCH</b>	Field-installed latches for tool-less entry

## Options

Consult Factory for Additional Finishes



## Your Direct Link

[contractorsolutions@genlyte.com](mailto:contractorsolutions@genlyte.com)

Now you have direct access to Stonco for technical assistance, our full product line, application requirements and suggestions on how we can make our products even more contractor-friendly.

For more information on our complete line of contractor-friendly products or literature requests, visit us online at [www.stoncolighting.com](http://www.stoncolighting.com).

Inquire About Our Other Contractor Friendly Lighting Solutions from Stonco.

